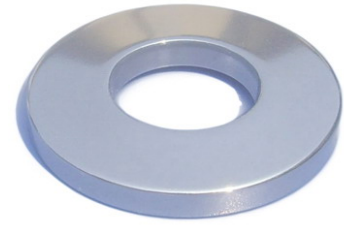
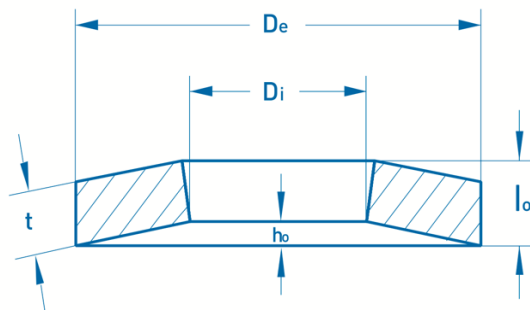
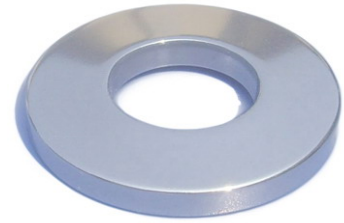
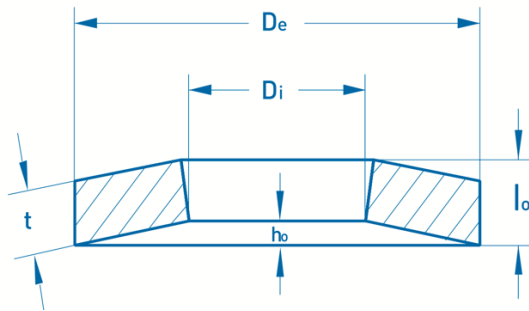


Part No.	Bolt Size mm	D_e mm	D_i mm	t mm	l_o mm	h_o mm	Flat load N	Torque N.m
101700	10	18.24	10.41	2.16	2.39	0.23	10,818	21.6
101701	10	18.24	10.41	2.64	2.82	0.18	16,223	32.4
101702	10	18.24	10.41	3.02	3.20	0.18	21,632	43.3
101703	12	21.69	12.40	2.62	2.90	0.28	15,769	37.8
101704	12	21.69	12.40	3.18	3.40	0.22	23,656	56.7
101705	12	21.69	12.40	3.66	3.86	0.20	31,542	75.7
101706	14	25.27	14.40	3.05	3.35	0.30	21,658	60.6
101707	14	25.27	14.40	3.71	3.96	0.25	32,503	91
101708	14	25.27	14.40	4.27	4.50	0.23	43,317	121.2
101709	16	29.16	16.36	3.61	3.99	0.38	30,159	81.4
101710	16	29.16	16.36	4.39	4.70	0.31	45,238	122.0
101711	16	29.16	16.36	5.11	5.38	0.27	60,318	162.7
101712	18	32.64	18.39	4.19	4.57	0.38	41,324	147.8
101713	18	32.64	18.39	5.05	5.38	0.33	60,852	218.3
101714	18	32.64	18.39	5.89	6.17	0.28	83,360	299.6
101715	20	36.96	20.60	4.47	4.88	0.41	46,573	186.2
101716	20	36.96	20.60	5.44	5.79	0.35	69,859	279.3
101717	20	36.96	20.60	6.15	6.45	0.30	93,146	372.4
101718	22	40.39	22.89	5.31	5.82	0.51	61,652	216.9
101719	22	40.39	22.89	6.45	6.88	0.43	92,478	325.4
101720	22	40.39	22.89	7.42	7.80	0.38	123,305	433.9
101721	24	43.41	24.82	5.38	5.92	0.54	67,124	329.3
101722	24	43.41	24.82	6.53	6.96	0.43	100,685	494.1
101723	24	43.41	24.82	7.52	7.90	0.38	134,247	658.8
101724	27	48.69	27.81	5.97	6.60	0.63	88,075	474.5
101725	27	48.69	27.81	7.26	7.80	0.54	132,112	713.4
101726	27	48.69	27.81	8.38	8.81	0.43	176,683	954.1

Part No.	Bolt Size mm	D _e mm	D _i mm	t mm	l ₀ mm	h ₀ mm	Flat load N	Torque N.m
101727	30	53.92	30.81	6.78	7.42	0.64	107,291	643.7
101728	30	53.92	30.81	8.26	8.79	0.53	160,937	965.6
101729	30	53.92	30.81	9.50	9.98	0.48	214,582	1287.5
101730	32	58.67	32.54	7.65	8.38	0.73	133,447	677.9
101731	32	58.67	32.54	9.55	10.16	0.61	200,170	1016.9
101732	32	58.67	32.54	10.72	11.25	0.53	266,893	1355.8
101733	33	59.18	33.53	7.57	8.26	0.69	133,847	883.2
101734	33	59.18	33.53	9.22	9.80	0.58	200,770	1324.9
101735	33	59.18	33.53	10.62	11.13	0.51	267,694	1766.5
101736	36	65.53	36.80	8.18	8.99	0.81	157,053	1130.5
101737	36	65.53	36.80	9.96	10.64	0.68	235,582	2061.9
101738	36	65.53	36.80	11.46	12.04	0.58	314,107	2261.1
101739	39	68.07	39.62	12.95	13.54	0.59	398,205	2169.3
101740	42	74.93	42.85	10.41	11.28	0.87	237,535	1491.4
101741	42	74.93	42.85	12.67	13.36	0.69	356,302	2237.1
101742	42	74.93	42.85	14.58	15.21	0.63	475,960	2982.8
101743	48	86.08	49.20	11.81	12.83	1.02	321,606	2711.6
101744	48	86.08	49.20	14.38	15.21	0.83	482,409	4067.5
101745	48	86.08	49.20	14.76	15.6	0.84	509,210	5423.3
101746	52	91.44	52.81	15.8	16.66	0.86	585,275	5965.6
101747	72	128.65	73.51	22.15	23.29	1.14	1,145,550	16492.2
101748	80	140.00	81.53	19.05	20.57	1.52	900,115	14401.5
101749	80	140.00	81.53	26.59	27.69	1.10	1,783,959	28540.0
101750	90	155.58	91.24	21.36	22.89	1.53	1,069,147	19008.6



Part No.	Bolt Size mm	D_e mm	D_i mm	t mm	l_o mm	h_o mm	Flat load N	Torque N.m
101800	8	14.73	8.18	1.27	1.68	0.41	4,226	7.1
101801	10	18.24	10.41	2.11	2.29	0.18	12,445	25.2
101802	12	21.69	12.40	2.41	2.67	0.26	16,458	39.7
101803	14	25.27	14.40	2.41	2.72	0.31	16,236	45.4
101804	16	29.16	16.36	2.97	3.30	0.33	28,913	81.4
101805	18	32.64	18.39	3.45	3.81	0.36	33,584	121.0
101806	20	36.45	20.83	3.94	4.32	0.38	43,593	174.7
101807	22	40.39	22.89	3.94	4.42	0.48	43,370	190.4
101808	24	43.10	24.82	3.94	4.45	0.51	42,925	205.7
101809	27	48.69	27.81	3.94	4.62	0.68	42,258	228.1
101810	30	53.92	30.81	4.90	5.56	0.66	66,723	399.2
101811	32	57.38	32.79	4.90	5.64	0.74	66,056	421.7
101812	36	65.53	36.80	4.90	5.87	0.97	64,944	466.4
101813	36	65.53	36.80	6.48	7.37	0.89	117,433	844.7
101814	38	68.07	38.89	6.35	7.21	0.86	115,654	850.1
101815	39	69.85	39.62	6.48	7.34	0.86	117,678	907.0
101816	42	74.93	42.85	6.65	7.62	0.97	122,326	968.1
101817	45	80.52	45.72	7.14	8.16	1.02	137,895	1233.8
101818	48	86.08	49.20	8.08	9.12	1.04	181,265	1739.5
101819	52	92.20	52.81	8.08	9.27	1.19	180,153	1868.3
101820	64	114.30	65.56	10.01	11.46	1.45	275,790	3525.1
101821	72	127.00	72.90	10.01	11.76	1.75	272,009	3914.3
101822	72	127.00	72.90	12.70	14.12	1.42	451,494	649.4



Part No.	Bolt Size mm	D_e mm	D_i mm	t mm	l_o mm	h_o mm	Flat load N	Torque N.m
101900	8	14.73	8.18	1.27	1.47	0.20	4,439	7.1
101901	8	14.73	8.18	1.96	2.09	0.13	10,898	17.5
101902	10	18.24	10.41	1.96	2.16	0.20	10,774	21.6
101903	10	18.24	10.41	2.54	2.69	0.15	18,522	37.0
101904	12	21.69	12.40	2.54	2.74	0.20	18,309	43.9
101905	12	21.69	12.40	3.18	3.35	0.17	29,016	69.6
101906	14	25.27	14.40	2.54	2.82	0.28	18,064	50.6
101907	16	29.16	16.36	3.18	3.48	0.30	28,469	90.7
101908	18	32.64	18.39	3.96	4.27	0.31	44,687	160.7
101909	20	36.45	20.60	3.96	4.34	0.38	44,309	177.2
101910	20	36.45	20.60	5.00	5.31	0.31	74,156	300.2
101911	22	40.39	22.89	3.96	4.45	0.49	43,859	192.9
101912	24	43.41	24.82	3.96	4.50	0.54	43,486	208.8
101913	24	43.41	24.82	6.48	6.81	0.33	120,876	580.3
101914	27	48.69	27.81	3.96	4.62	0.66	42,836	231.3
101915	30	53.92	30.81	5.08	5.72	0.64	71,741	430.3
101916	30	53.92	30.81	6.48	7.01	0.53	119,275	715.6

Part No.	Bolt Size mm	D _e mm	D _i mm	t mm	l ₀ mm	h ₀ mm	Flat load N	Torque N.m
101917	32	57.38	31.47	5.08	5.84	0.76	717,314	456.1
101918	32	57.38	32.79	6.48	7.06	0.58	118,692	759.1
101919	33	59.18	33.53	6.48	7.11	0.63	118,434	781.5
101920	36	65.53	36.80	5.08	6.02	0.94	69,926	503.3
101921	36	65.53	36.80	6.48	7.24	0.76	117,433	843.3
101922	36	65.53	36.80	9.53	10.06	0.53	261,435	1881.9
101923	42	74.93	42.85	6.88	7.80	0.92	131,325	110.3
101924	42	74.93	42.85	9.53	10.21	0.68	258,966	2174.6
101925	45	80.52	45.72	6.48	7.59	1.11	114,319	1027.7
101926	48	86.08	49.20	8.08	9.12	1.04	181,274	1739.5
101927	48	86.08	49.20	9.53	10.41	0.88	256,253	2459.1